

MARK II W/10 GAL TANK-120V (#4995-2) REPAIR PARTS LIST

6551	Manual, operators	1
647	Microswitch, boiling tank	2
654	Microswitch, storage tank	2
643	Momentary water switch	1
89	Nipple, Faucet-storage tank	1
4593	Nygal transfer sleeve	1
9528A	Plated elbow w/sleeve & nut	1
7011	Plug recepticle, storage tank	1
4584	Power cord	1
7208	Relay (large)	1
7206	Relay (small)	1
7039	Reset	1
638	Screws, sheetmetal (pak of 12)	1
67	Solenoid body, plastic only	1
635	Solenoid complete w/comp nuts	1
637	Speed clips, (pak of 12)	1
9021	SS nut, coupler	1
4534	Switch cover w/28" cord	1
418	Terminal block	1
4035	Top plate	1
400	U-clamp, heating element	1
411	Vent plug, storage tank	1
9099	Washer, inlet, storage tank	1
515	Waterline, solenoid inlet, SS	1

MARK II SERVICE GUIDE

PROBLEM

DIAGNOSIS

SOLUTION

No Power to Unit:

No element, no fan, no pump?

Reset button popped.
(If the reset button is popped, the main switch will stay lit.)

No element, no fan, pump runs.

Storage tank is full.

Reset button not popped.

Check main switch, if not lit check outlet.

If outlet is ok, check power cord.

If power cord is ok, test reset button with volt-ohm meter.

NOTE: Make sure the electrical connection between the boiling tank and storage tank are hooked together properly. This can cause the fan, element and pump not to run.

Unit won't heat up:

Is the fan motor turning?

Check heating element

Check heating element switch.

Fan motor won't operate:

Is heating element operating?

Check fan switch.

Check fan blade, make sure it is not slipping on shaft of motor.

Check fan motor.

No water enters boiling tank:

Is the fan motor turning?

Check boiling tank float, make sure the float is going down.

Check water supply to the unit.

Check momentary water switch.

Check solenoid.

PROBLEM

DIAGNOSIS

SOLUTION

No water enters boiling tank:

Reset button is popped.

Check float system.

Check micro switch.

Check solenoid.

Boiling tank is overfilling:

Storage tank full of raw water.

Check float position in boiling tank, make sure it is not staying down.

Check solenoid.

Check micro switch.

Storage tank is overfilling:

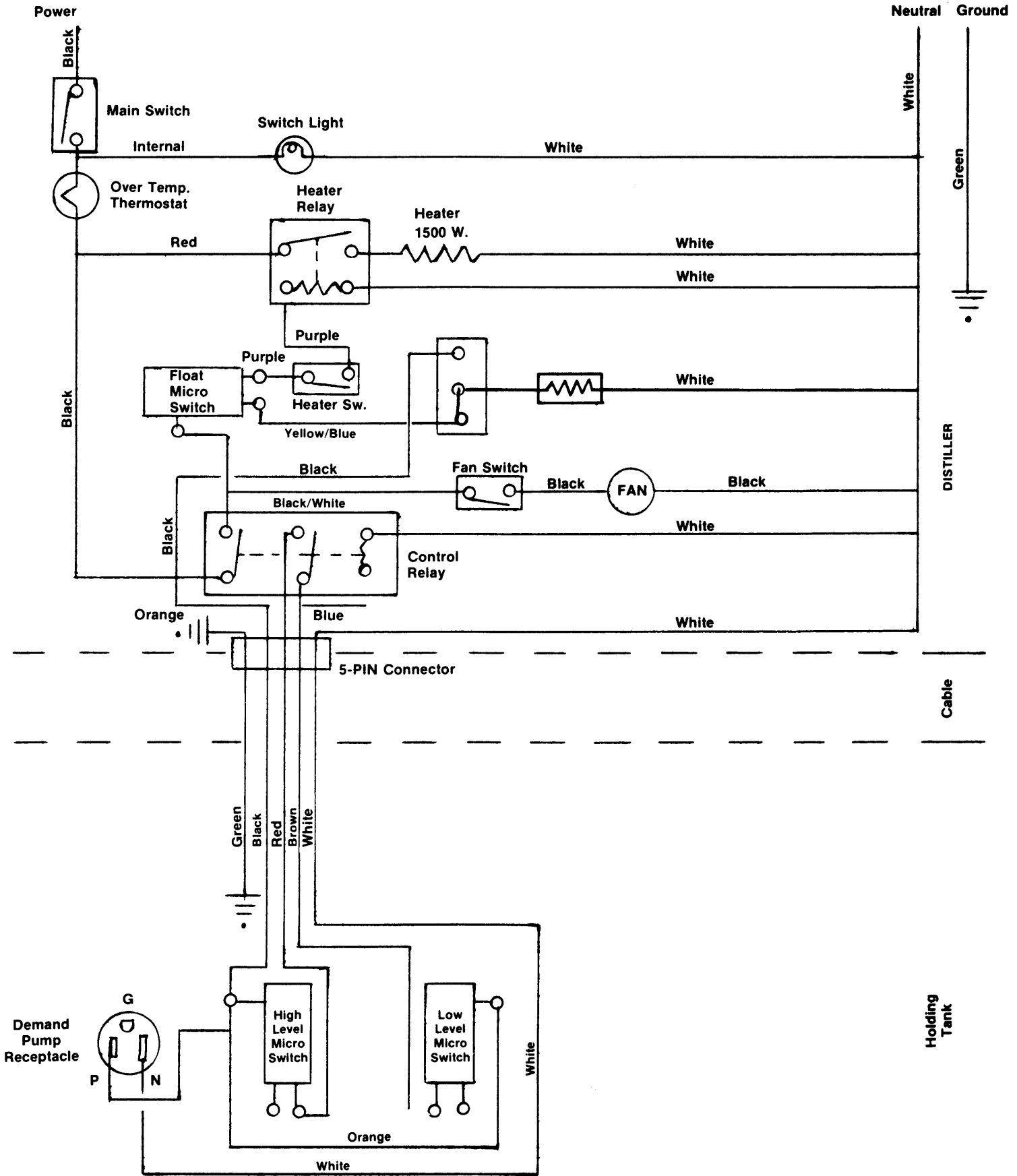
Water is going everywhere-
FLOOD.

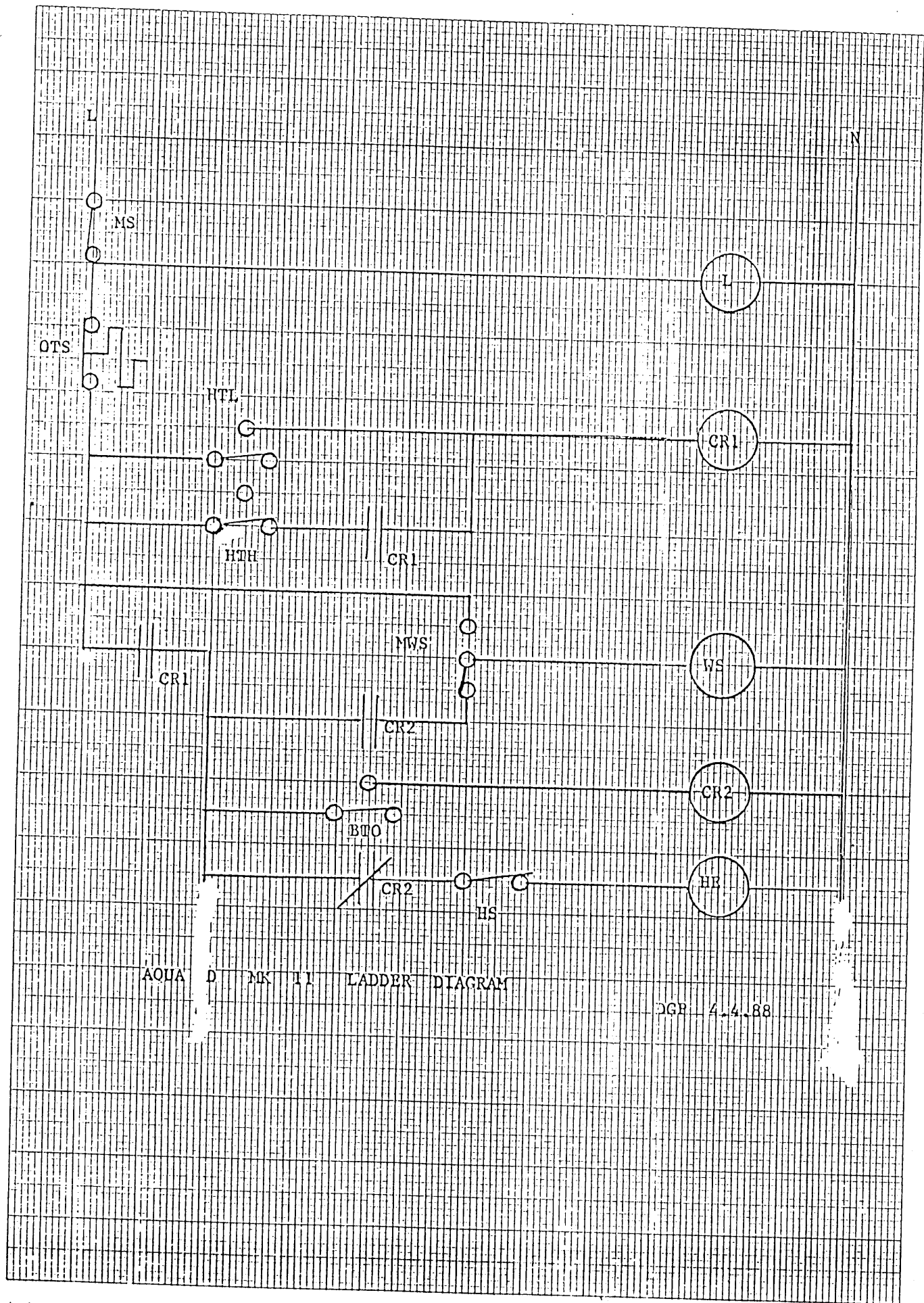
Check float system in storage tank.

Check high level micro switch.

Check solenoid.

Aqua D Mark II™ Wiring Schematic





AQUA D MK II LADDER DIAGRAM

DGR 4.4.88

AQUA D MARK II

