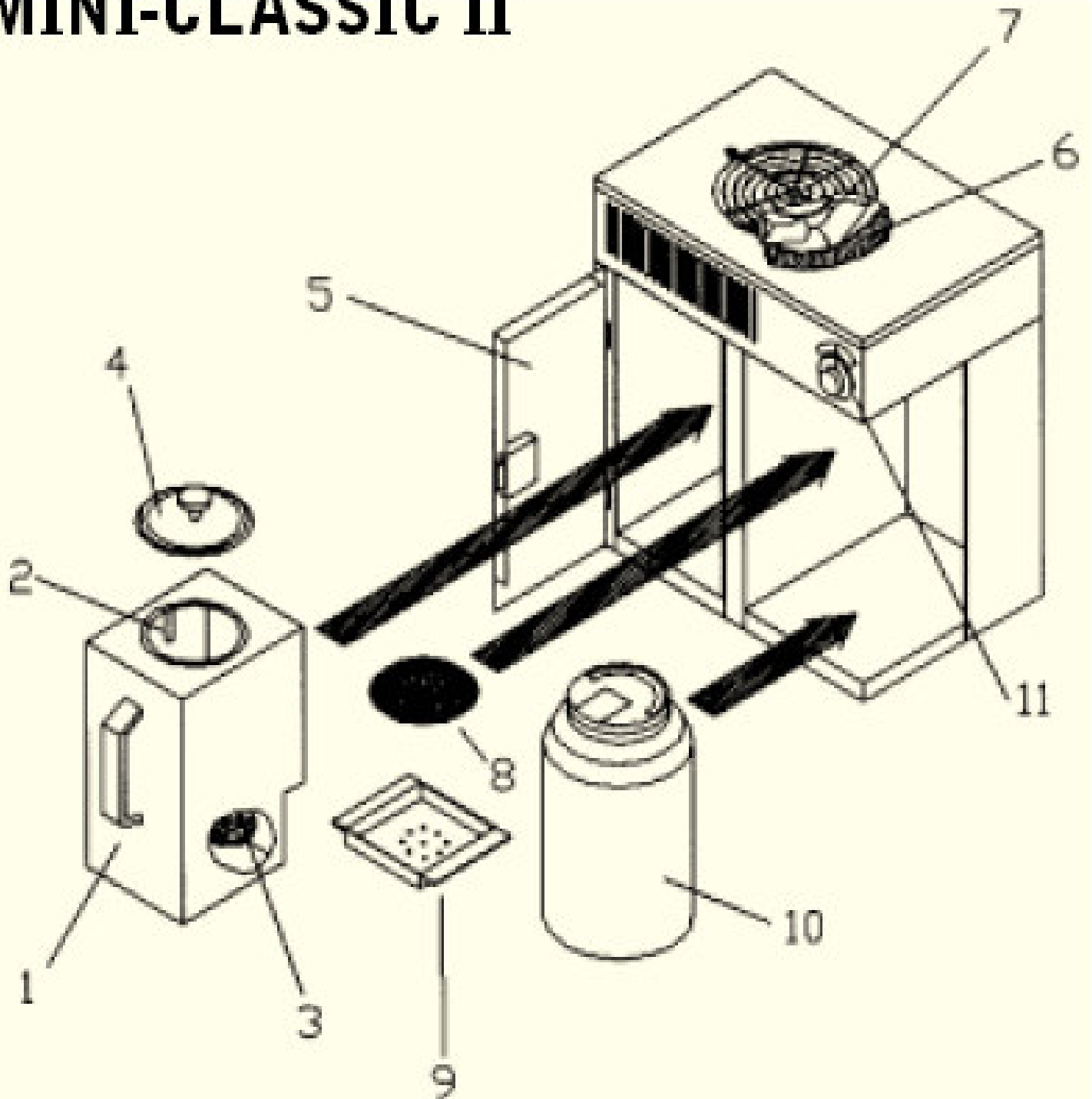




GETTING ACQUAINTED WITH YOUR MINI-CLASSIC II





NORMAL OPERATION

1. Ensure that the boiling chamber is cool.
2. Open the door (5) and remove the boiling chamber (1) by pulling on the handle.
3. Loosen the black knob on the lid (4) and slide the lid from side to side and lift the lid out.
4. Swirl and empty out any water left in the boiling chamber (1) from the prior batch.
5. Fill the boiling chamber (1) with tap water until it touches the bottom of the water level indicator (2).
6. Place the lid (4) on the boiling chamber (1). Tighten the black lid knob firmly, ensuring a good seal. DO NOT overtighten.
7. Push the boiling chamber (1) into the left side of the distiller until it fits snug and the element prongs plug into the controller. Close the door.
8. Be sure lid is removed from container. Put the drinking water container (10) in place.
9. Turn the timer knob (11) left to the ON position. *Note:* To activate the unit, the knob must be turned left and the fan running.
10. Allow the unit to operate until it automatically shuts off. This will take approximately 3.5 hours and will produce approximately 3 liters of distilled water.

CAUTION: Never open the door during operation and never remove the boiling chamber while the unit is operating.