

# AQUA D™

## OWNERS MANUAL FOR MODELS: 2000, INT'L.



# Contents

<b>Important Safety Information</b> .....	2
<b>For The Record</b> .....	3
<b>How Your Aqua D Works</b> .....	3
<b>Unpacking Your Aqua D 2000</b> .....	3
<b>Electrical Requirements</b> .....	3
<b>Optional Accessories for an Aqua D 2000</b> .....	3
<b>Important Notice</b> .....	3
<b>Getting Acquainted with Your Machine</b> .....	4
<b>Assembling the Aqua D 2000</b>	
A. Tank and H-Frame .....	5
B. Distiller .....	6
C. Attaching the Distiller to the Storage Tank .....	7
<b>Installation</b>	
A. Connecting the Distiller to the Waterline .....	7
B. Connecting the Drain Line .....	8
C. Connecting Your Home Water Supply to the Distiller .....	9
<b>Start-Up</b>	
A. First Time Start-up, Rinsing and Steam Sterilizing .....	10
B. Installing the Post Filter .....	10
<b>Maintenance</b>	
A. Overall Maintenance Requirements .....	11
B. Cleaning the Boiling Tank .....	12
<b>Warranty</b> .....	13
<b>Troubleshooting</b> .....	13
<b>Parts</b> .....	14

---

## Important Safety Information

- If you are not sure that your electrical outlet is properly grounded or that the circuit protection is correct, have it checked by a qualified electrician.
- Operate indoors only.
- The area **MUST** be well ventilated.
- **WARNING:** Disconnect before assembling, adjusting or servicing this appliance.
- **NEVER** immerse the distiller in water or any other liquid.
- **NEVER** operate the distiller with a damaged cord or allow the cord to become exposed to hot surfaces.
- **DO NOT** use an extension cord or any adapters.
- Don't let children play with the distiller.
- Don't touch the top of the distiller when it is operating because it becomes very hot.
- Always wait at least 30 minutes after the distiller is turned off before draining the boiling tank.
- Exercise care when removing the boiling tank lid and never remove during operation.
- Aqua D 2000 distillers are designed to work with a direct water hookup. Do not operate using manual water fill.
- The installation and use of this product must comply with all applicable state and local laws and regulations.
- **Important Notice:** This distiller is designed to be used only with Pure Water, Inc. accessories and replacement components.

---

## For the Record

The model and serial number are found on the back panel. You should record both model and Serial Number below for future reference.

Model: \_\_\_\_\_ Date of Purchase:: \_\_\_\_\_

Serial Number-Distiller: \_\_\_\_\_ Serial Number-Storage Tank: \_\_\_\_\_

---

## How Your Aqua D Operates

Your system operates using the combined technology of evaporation/condensation and activated carbon filtration. This combined technology consistently produces high-quality water. The principle of distillation is quite simple: Raw water is taken into the machine where it is heated and boiled. As the water boils, it kills bacteria and other biological contaminants. The steam then rises, leaving behind virtually all the contaminants in the raw water. The steam enters a condenser where cool air reduces the temperature of the steam, converting it to water. As a final step, this water passes through an activated carbon post-filter to improve water taste. The water is stored in the storage tank until you are ready to use it.

---

# Unpacking Your Aqua D 2000

Your Pure Water Aqua D 2000 Series System is shipped to you in two cartons marked: “Aqua D Series 10 Gallon Tank” and “Aqua D Series”. Carefully remove the contents from each box.

The “Aqua D Series 10 Gallon Tank” box contains:

- 10 Gallon Tank (1)
- H-frames (2)
- Parts Kit # 4555 (1)

The “Aqua D Series” box contains:

- Pure Water Aqua D 2000™ Series Purification System (1)
- Parts Kit #4775
- Owners Manual and Warranty Card (1)

*Note:* Save the boxes and packing material for future use in the unlikely event your machine should require sending to a service center for repair.

---

## Electrical Requirements

- The unit must be plugged directly into a fully grounded wall outlet.
- Isolate a 20 amp fuse or circuit breaker for the unit.
- This unit operates on 110V, 60 cycles or as otherwise specified on the back of the distiller.

---

## Optional Accessories for an Aqua D 2000

- Faucet hook-up kit complete with a demand pump to pump water directly to a special faucet. Stock #19062UL or Stock #19063UL.
- Ice maker hook-up kit for running distilled water to your refrigerator ice machine or water dispenser. (An adjunct to the faucet hook-up kit.) Stock #19009.
- Lumen™ cleaner and descaler for cleaning the boiling tank. Stock #6603.
- Post filter replacement cartridge. Stock #9590.

---

## Important Notice

This manual frequently refers to model 2000S. You can convert your Aqua D 2000 to a 2000S by purchasing part #4781, Conversion Kit. This will convert your distiller from a manual boiling tank drain to an automatic drain. If you do not have the conversion kit, disregard all instructions referring to 2000S.

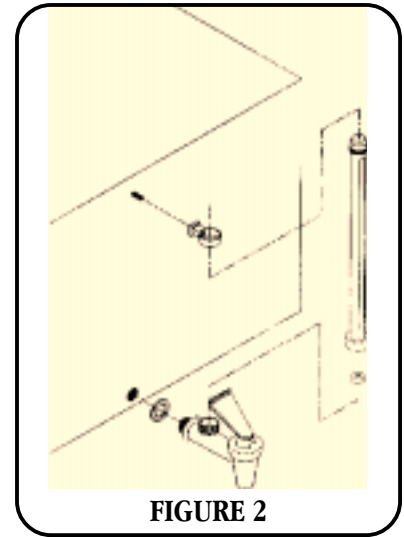


# Assembling the Aqua D 2000

## A. Assembling the Tank & H-Frame

Start with the box containing the Storage Tank and H-frame.

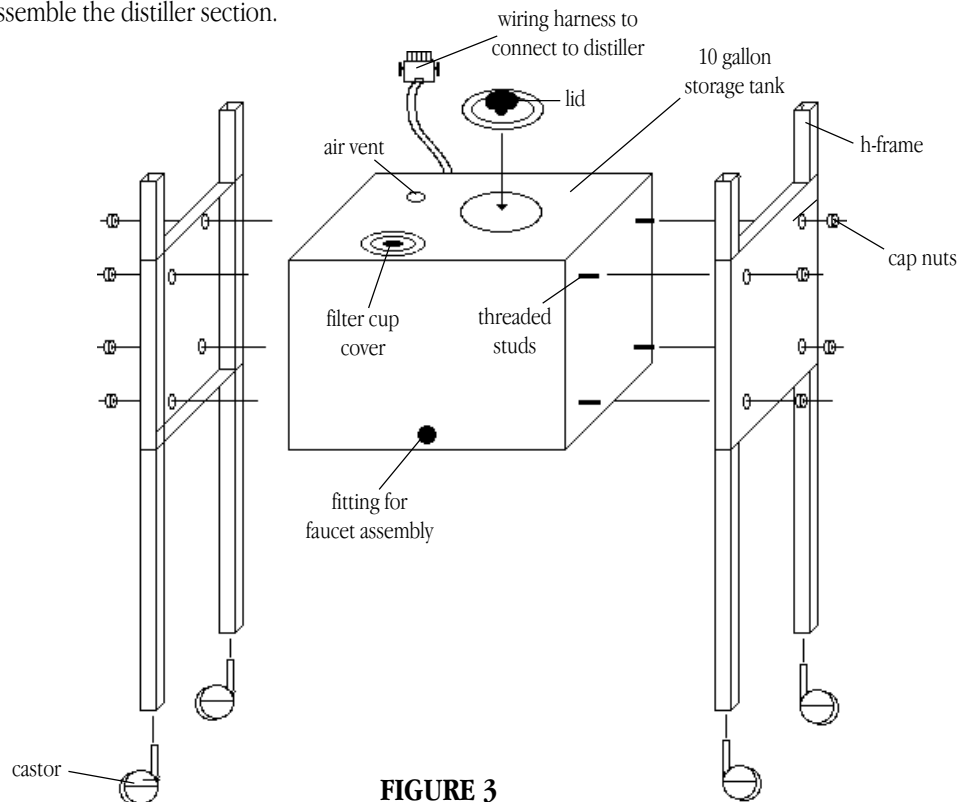
- a) Remove the nuts on the side of the storage tank.
- b) Place one H-frame on the side of the storage tank and secure with 4 cap nuts. Finger tighten only. Repeat for other side. (See Figure 3.)
- c) Insert the castors in the bottom of the legs.
- d) Stand the storage tank upright and tighten the 8 cap nuts securely. Install the storage tank faucet as follows: (see figure 2)
  1. Disassemble the sight glass and washer from the faucet by rotating the plastic nut on the bottom of the sight glass.
  2. Screw teh brace onto the stud on the tank.
  3. Place one washer onto the threaded faucet into the fitting, rotate the faucet clockwise until tight. Ensure the faucet is in a vertical position.
  4. Place small washer into the bottom on the sight glass and angle the sight glass through the brace. Place the bottom of the sight glass into the stem on the top of the faucet, ensuring the washer is in place and that the tube markings are visible through the long slot in the protective sleeve. Rotate the nut on the obttom of the sight glass until it is secure.



**CAUTION:** Never twist the faucet assembly by the sight glass. It is fragile.

- e) Remove filter cup from the parts kit and place into 2" hole provided on top of storage tank.
- f) Wash the storage tank with a cloth, using a hot water and mild baking soda solution. Rinse thoroughly.

Now you are ready to assemble the distiller section.



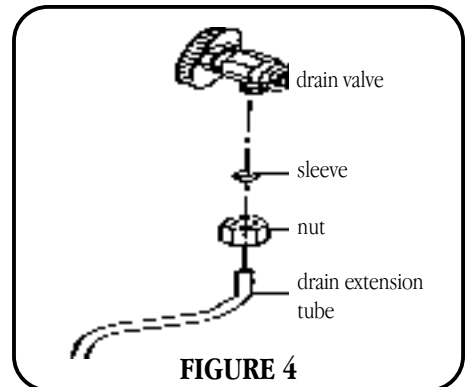
## B. Assembling the Distiller

The distiller comes fully assembled with the exception of the drain valve.

### ASSEMBLING THE DRAIN VALVE

For Aqua D 2000 — This distiller is fitted with a manual drain valve. Install as follows referring to Figure 4:

- a) Install the drain valve onto the boiling tank outlet fitting on the bottom of the purifier. Tighten the valve so the handle is facing the side of the purifier. Close the drain valve.
- b) Remove the compression nut and sleeve. Slide the compression nut and sleeve onto the short end of the drain extension tube. Tighten the compression nut and rotate the tube so it extends past the side of the distiller.

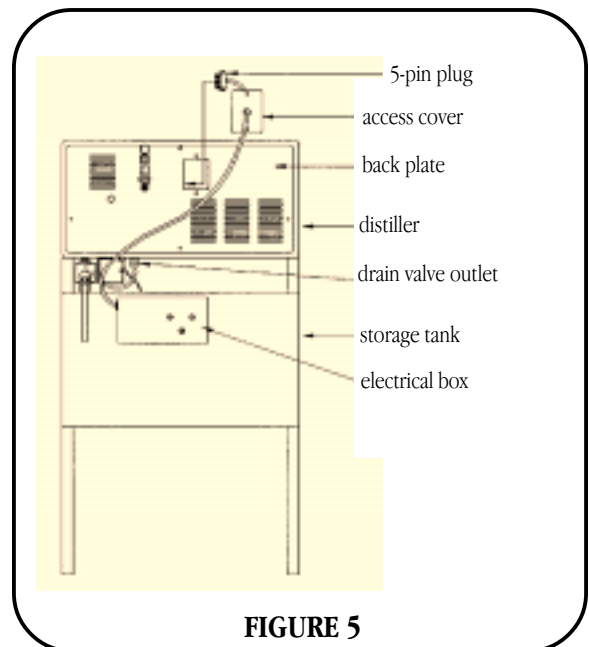


**FIGURE 4**

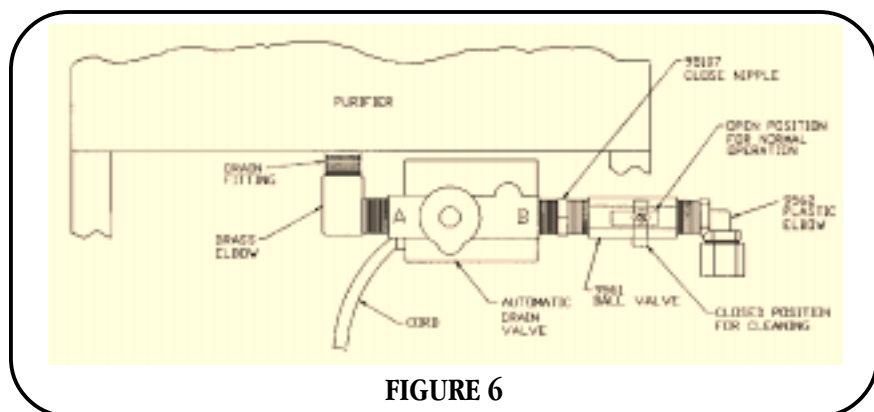
For Aqua D 2000S — This distiller is fitted with an automatic drain valve.

Install as follows referring to Figures 5 & 6:

- a) Set the distiller on its front on a soft surface.
- b) Install the automatic drain valve assembly onto the boiling tank outlet fittings. Rotate the valve until the outlet is pointing to the rear of the distiller.
- c) Install one close nipple into the valve outlet. Tighten securely.
- d) Install one ball valve onto the close nipple. Tighten securely.  
*Note:* Orient the handle on the shut-off valve so the handle is facing the side of the distiller.
- e) Install one plastic elbow into the ball valve. Tighten securely. Rotate the elbow so it points down.
- f) Open the ball valve. Plug the drain valve into the outlet on the bottom rear labeled “drain valve outlet”.
- g) **Leveling:** This unit is designed to flex in the event of rough shipping and handling. If may be necessary to level your distiller upon receipt.
  1. Loosen the four phillips screws on the top corners of the distiller.
  2. Loosen the phillips screws on the left, right and bottom of the front and rear panels.
  3. Press down on the opposite corners of the top panel until the distiller sets level on the storage tank.
  4. Retighten the screws.



**FIGURE 5**



**FIGURE 6**

## C. ATTACHING THE PURIFIER TO THE STORAGE TANK

**CAUTION:** THE PARTS KIT CONTAINS TWO SHEET METAL SCREWS. THESE SCREWS MUST BE USED TO FASTEN THE PURIFIER TO THE TANK. IF THE SCREWS ARE NOT INSTALLED AS SPECIFIED, THE UNIT IS NOT IN COMPLIANCE WITH SAFETY CODES.

- a) Install one sheet metal screw into each of the two rear H-frame legs at the top. Start the screw only.
- b) Set the purifier onto the storage tank and tighten the two sheet metal screws. The purifier should now be secured to the storage tank.
- c) Install one filter cup into the storage tank. Install one filter cup lid. **NOTE:** Do not install the post filter.
- d) Loosen the nut restraining the condensing coil extension tube. Carefully pull the tube downward. Retighten the nut.
- e) Install one inlet gasket and one stainless steel washer onto the filter cup lid.
- f) Plug the wiring harness into the back of the purifier. (See Figure 1 on page 4) **NOTE:** Make sure the plug snaps into place.

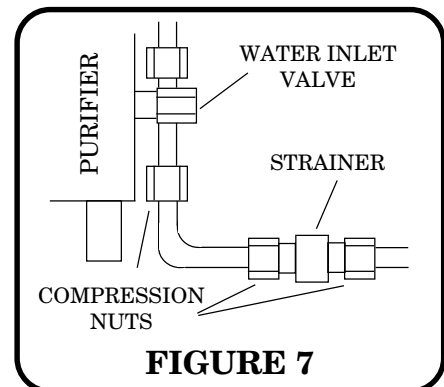
## INSTALLATION

### A. CONNECTING THE WATER LINE

**Note:** 1) Production rate will be affected if the purifier is not level.  
2) For lower maintenance, a water softener is highly recommended.

**Note:** (2000S only) – If the storage tank is full or the power is cut, the purifier will flush the boiling tank.

- a) Remove the compression nut from the parts kit. Place thumb over large end while inserting the 1/4" diameter tubing through the small end of the compression nut. Let it protrude about 1/4".
- b) Install the plastic nut on the water inlet connection about 1/4 turn. Push the water line as far as it will go and tighten the nut.
- c) Install the strainer by cutting the purifier water line approximately 6 inches from the water inlet valve and insert tubing into the compression nuts following procedures a and b above.



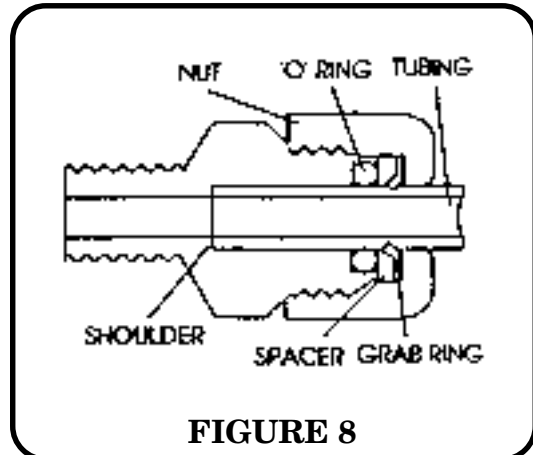


## B. CONNECTING THE DRAIN LINE (AQUA D 2000S ONLY)

**CAUTION:** THE BOILING TANK DRAIN WATER REACHES 160°F. CAUTION SHOULD BE USED WHEN CONNECTING THIS LINE. IT MUST BE SECURELY FASTENED TO THE PURIFIER'S DRAIN ELBOW.

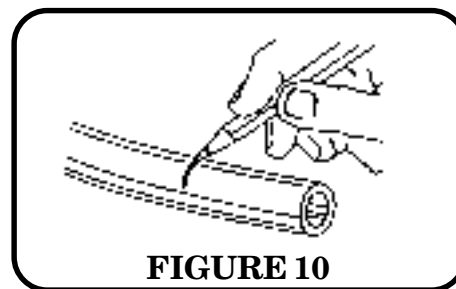
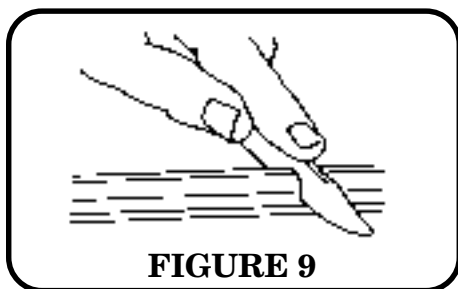
**CAUTION:** KEEP THE DRAIN LINE OUT OF THE REACH OF CHILDREN. THE DRAIN LINE CAN BE SHIELDED WITH A LARGER PIECE OF CPVC PIPE IF REQUIRED.

- a) Loosen the nut on the elbow until three threads are visible.
- b) Cut the 1/2" drain tubing squarely and remove any burrs. (See Figure 9.)
- c) Mark the tubing 13/16" from the end with a permanent marker. (See Figure 10.)
- d) Moisten the end of the tubing with water. Push the tubing straight into the fitting until it bottoms on the fitting's shoulder. (See Figure 8.) Tighten the nut securely. DO NOT OVER-TIGHTEN or the nut or threads will strip and the fitting will not function properly. If assembled properly, the mark on the tubing should not be visible. If the mark is visible, repeat steps b through d.
- e) Run the other end of the drain line to a drain.



**IMPORTANT:** THE DRAIN MUST ALWAYS BE LOWER THAN THE ELBOW ON THE AUTOMATIC DRAIN VALVE FOR PROPER FLOW.

**NOTE:** Always allow an air gap between the drain line and the drain. This will prevent the possibility of waste water backing up into the purifier.

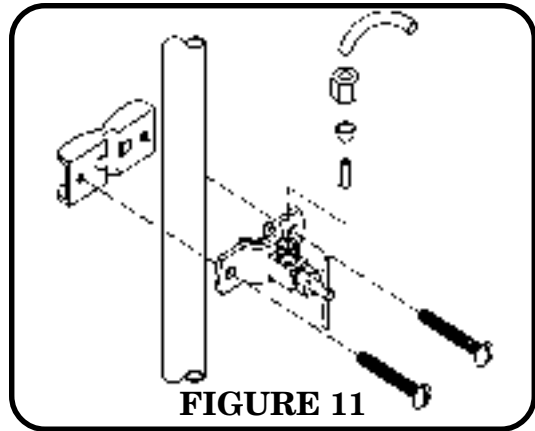


## C. CONNECTING YOUR HOME WATER SUPPLY TO PURIFIER

**CAUTION:** DO NOT USE THE HOT WATER LINE. FAILURE TO INSTALL SADDLE TAPPING VALVE ON COLD WATER LINE WILL RESULT IN 1/4" TUBING BECOMING VERY SOFT CAUSING POTENTIAL WATER DAMAGE.

**CAUTION:** DO NOT TURN THE HANDLE BEFORE OR WHILE INSTALLING THE "SADDLE TAPPING VALVE." BE SURE THE PIERCING LANCE DOES NOT PROTRUDE BEYOND THE RUBBER GASKET.

- a) Turn the household water supply off.
- b) Install the Saddle Tapping Valve on the COLD water copper tubing so the outlet is in a convenient direction.
- c) Tighten screws evenly. Brackets should be parallel. Tighten firmly. Do not over tighten.
- d) Connect plastic tubing to Saddle Tapping Valve outlet.
- e) Coil a minimum of 8 feet of tubing behind water purifier. This will allow system to be moved away from the wall for cleaning or service.
- f) Connect tubing from the purifier to the Saddle Tapping Valve.
- g) Turn the Saddle Tapping Valve handle clockwise until you feel it is firmly seated.



**Note:** You have now pierced the copper tube and the valve is closed.

- h) Turn the handle counter-clockwise to open the valve. Turn the household water supply on and check all connections for leaks.
- i) (2000 Only) — Be sure the boiling tank drain valve is closed.
- j) (2000S Only) — Close the ball valve.
- k) Open the Saddle Tapping Valve completely. Check the line for leaks. Tighten where required.

**Notes:** 1) Should any leaks occur, tighten all connections. Some areas where leaks may occur are: where the Saddle Tapping Valve attaches to the existing water line; where the tubing attaches to the strainer and/or where the tubing attaches to the Saddle Tapping Valve. 2) In some jurisdictions, a Saddle Tapping Valve may not be permitted. In such instances, we recommend a utility hook-up kit (part # 42).

# START-UP

## A. FIRST TIME START-UP, RINSING AND STEAM STERILIZING

We recommend that you thoroughly rinse and steam sterilize your Aqua D before putting it into use. Purified water from the first cycle should be discarded.

### RINSING –

- a) Remove the boiling tank lid.
- b) Remove the wire tie restraining the float.
- c) Pour tap water into the boiling tank until approximately 3/4 full and open the boiling tank residue drain valve. For 2000S Only – Open the ball valve.
- d) Close the residue drain valve. **NOTE:** Leave ball valve open on 2000S.

### STEAM STERILIZATION –

**NOTE:** If the unit is equipped with a demand pump, it must be disconnected from the storage tank during steam sterilization.

- e) Plug the purifier power cord into the power source.

**NOTE:** Make sure the post filter is not installed at this point.

- f) Turn the heating element switch ON.
- g) Turn the main power switch ON and the fan switch to STERILIZE. Allow the unit to fill with water.
- h) When the boiling tank stops filling, install the boiling tank lid.
- i) Open the storage tank faucet and place a 1 gallon container under the faucet to catch any water.
- j) Allow the unit to steam sterilize for one hour.
- k) After one hour, close the storage tank faucet and turn the main power switch OFF.
- l) Allow the unit to cool for a minimum of 15 minutes. When cool, install the post filter cartridge and 'O'-ring as instructed in Section B of Start-Up. Turn the main power switch ON, the heating element switch ON and the fan switch to PURIFY. Allow unit to run through a complete cycle.
- m) Open the storage tank faucet and discard the first batch of purified water.
- n) Close the storage tank faucet.

With the main power and heater switches ON and the fan switch to PURIFY, the unit is now ready for normal operation. We recommend steam sterilization cycle (steps e through l) every 3 months or if the unit has not been used for one week. The storage tank must be completely empty prior to a steam sterilization cycle.

## B. INSTALLING THE POST FILTER

The post filter fits into the filter cup on the top of the storage tank. Make sure the machine is not operating when you install the post filter. Please follow the steps below:

- a) Take the post filter cartridge from the parts kit.
- b) Remove the blue seals on each end of the filter. Note that one end of the cartridge has a lip around the outside. Consider this the bottom. (See Figure 12.)
- c) Completely submerge the cartridge in **pure** water, with the bottom up, for 5 minutes.
- d) Remove the cartridge from the water and **TURN THE CARTRIDGE OVER.**
- e) Remove the filter cup from the storage tank and place the 'O'-ring around the cartridge close to the bottom edge (lip end) and firmly push the cartridge into the cup. The cartridge should slide down smoothly into place with the 'O'-ring visible just below the top of the cartridge.
- f) Place the cup back into the storage tank and place the filter lid on top of the cartridge.
- g) Position the soft gasket and stainless steel washer to seal the cartridge. (See Figure 13.)

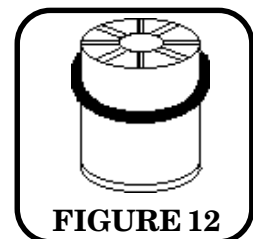


FIGURE 12

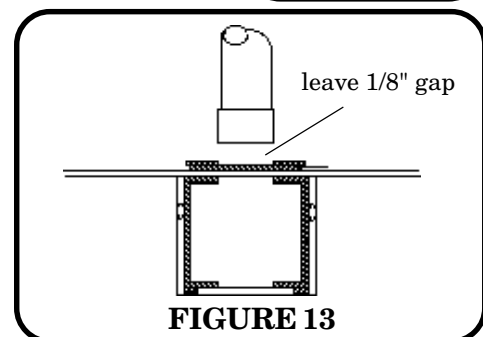


FIGURE 13

**Note** Leave a 1/8" gap between the condensing coil extension tube and the post filter cartridge.

# MAINTENANCE AND CLEANING

## A. OVERALL MAINTENANCE REQUIREMENTS

The following guide should be used for the maintenance of your purifier. The timing will vary according to your local water conditions. It is your responsibility to maintain your equipment. Without proper maintenance, your Aqua D 2000 or 2000S may not produce optimum results. The following times may be far too long for your particular area, so the first several times, please keep track of the average time and adjust the schedule below.

*Twice a month or every 15 gallons\*:  
Every month or every 30 gallons\*:*

Drain the boiling tank (Model 2000 only).  
Clean the boiling tank. (See Section B of Maintenance.)

*Every 3 months:*

- 1) Change the post filter (See below.)
- 2) Clean the exterior. (See below.)
- 3) Steam sterilize. (See section A of START-UP)

\* More frequent if feed water is hard.

Cleaning the interior: We recommend that the boiling tank be cleaned at least once a month. Use Lumen™ cleaner (Stock# 6603) and follow the directions provided.

Failure to clean the interior can result in:

- 1) Contaminant build up (scale) causing premature failure of the heating element.
- 2) Reduced purity of the purified water due to 'splash over' of contaminants from the boiling tank.

Cleaning the exterior: Use stainless steel cleaner and polish (Stock #6606).

Replacing the post filter\*: The post filter cartridge should be replaced at least every three months. To remove the old cartridge, use a screwdriver to pry the cartridge out of the cup. New filters can be purchased in packs of four through your Distributor. (Stock #9590)

\*The physiological effects of the operation of this appliance, beneficial or otherwise have not been investigated by Underwriters Laboratories.

## B. CLEANING THE BOILING TANK

**CAUTION:** UNDER NO CIRCUMSTANCES SHOULD THE CLEANING SOLUTION BE HEATED AND RUN THROUGH A STEAM STERILIZATION OR PURIFICATION CYCLE.

### USE THE FOLLOWING PROCEDURES FOR CLEANING THE AQUA D 2000:

- a) Turn the main power and heating element switches OFF. Turn the fan switch to STERILIZE. Let the unit cool for 15 minutes before continuing.
- b) Remove the boiling tank lid. Open the drain valve and allow the boiling tank to drain. Close the drain valve.
- c) Turn the main power switch ON and allow the boiling tank to fill. Use the momentary water switch to adjust the water level so it is above the scale line.
- d) Turn the main power switch OFF and add Lumen™ following the directions on the package.
- e) Mix well and let stand overnight.
- f) Next morning, open the drain valve and drain and rinse the boiling tank thoroughly. Close the drain valve.
- g) Turn the main power and heater switches ON. Turn the fan switch to PURIFY. The unit is now ready for normal operation.

### USE THE FOLLOWING PROCEDURES FOR CLEANING THE AQUA D 2000S:

- a) Turn the main power switch OFF and allow the boiling tank to drain completely. Let the unit cool for 15 minutes before continuing.
- b) Remove the boiling tank lid. Close the ball valve. (See figure 6, page 6.)
- c) Turn the main power switch ON and allow the boiling tank to fill. Use the momentary water switch to adjust the water level so it is above the scale line.
- d) Turn the main power switch OFF and add Lumen™ following the directions on the package.
- e) Mix well and let stand overnight.
- f) Next morning, open the ball valve and drain and rinse the boiling tank thoroughly.
- g) Turn the main power switch ON and allow the boiling tank to fill. Use the momentary water switch to add more water.
- h) Turn the main power switch OFF and allow the boiling tank to drain.
- i) Turn the main power and heater switches ON. Turn the fan switch to PURIFY. The unit is now ready for normal operation.

# WARRANTY

Your Pure Water, Inc. Aqua D 2000™ Series is covered by a comprehensive warranty. Please refer to the warranty card which is in with your Aqua D 2000™ for full details. If your warranty card is missing, or if this is a replacement manual, please contact your dealer for full details. In order for the warranty to be registered you must return the warranty card within 10 days of purchase. Please be sure all information on the warranty card is filled in completely for valid registration.

If your Aqua D 2000 Series™ system requires repair under warranty, contact your dealer for instructions. Provided you have met your conditions under the warranty, the system will be repaired free and returned to you. You are responsible for freight both to and from the service location.

<b>TROUBLE SHOOTING</b>			
<u>Problem</u>	<u>Observations</u>	<u>Probable cause</u>	<u>Solution</u>
1) Purifier doesn't work at all.  Note: A good test to see if your problem fits this section is to try the momentary water switch, if this gets results, then check next section.	Power switch on but not lit.	No power at outlet.	Check circuit break or fuse.
		Bad power switch.	Test/replace.
	Power switch on and lit.	Reset has popped.	Press the reset button. A 'click' will indicate the reset was popped. *see note on reset
	*2000 series only, see section 5	Boiling tank too full.	Drain boiling tank to less than half.
2) The purifier will not start purifying.		Storage tank cord disconnected.	Make sure the plug is secure.
	Momentary water switch works but no fan or heat.	Bad control relay. (larger of 2 relays)	Test/replace.
		Bad holding tank low level switch.	Test/replace.
	Fan works, but no heat.	Boiling tank water level too low.	See section 3.
		Bad heating element.	Test/replace.
		Bad element relay. (smaller of 2 relays)	Test/replace.
3) Boiling tank will not fill automatically when water level gets too low.	Momentary water switch works.	Float not moving freely, doesn't always drop when water level does.	Install bushing and 'O' ring kit or float repair kit.
		Bad boiling tank low level switch.	Test/replace.
		Bad element relay. (smaller of 2 relays)	Test/replace.

**Troubleshooting continued on back cover.**

**Please exchange this insert page for page 14 and 15 of the Aqua D 2000 Owners Manual.**

KEY #	PART #		DESCRIPTION	KEY #	PART #		DESCRIPTION
	120V	240V			120V	240V	
1	8009	8009	Lid Knob with Stud	50	4761	4761	Power Cord
2	6022	6022	O-Ring	51	7015	7015	Cord Restraint
3	519	519	Lid Disc	52	9083	9083	Leg
4	6049	6049	Gasket	53	9056	9056	Screw, 10-24 x 1/2, Hex SS
5	9009	9009	Flat Washer, 1/4" SS	54	9047	9047	Speed Clip Nut
6	9085	9085	Spring	55	9029	9029	Sheet Metal Screw, 10-16 x 1/2 SS
7	402B-01	402B-01	Crossbar, Welded	56	9045	9045	Nut, 1/4-20 Hex SS
8	224-0003	224-0003	Locknut, 1/4-20, SS	57	9009	9009	Flat Washer, 1/4" SS
	409	409	B/T Lid Kit (includes #1-8)	58	9027	9027	Screw, 1/4-20 x 3/8
9	6010	6010	Boiling Tank Gasket	59	4701A-02	4701A-02	Deflector Plate Studded
10	9519	9519	Float Ball	60	4102	4102	Front Plate
11	9018	9018	Nut, 6-32 Hex SS	61	7026	7026	Coil Restraint
12	514	514	Float Rod	62	7026A	7026A	Restraint Lock Nut
13	604	604	O-Ring & Bushing Kit	63	7230	7230	Wire Holder
14	9082	9082	Actuating Arm	64	4203	4203	Back Plate
15	9024	9024	Set Screw, 10-32 x 3/8	65	7012	7012	Open-Closed Bushing
16	645	645	Float Kit (includes #10-15)	66	7069	7069	Reset
17	9001	9001	Screw, 4-40 x 5/8	67	423A	423A	Retainer Plate Assembly, SS
18	7207	7207	Microswitch	68	540	540	Retainer Plate
19	9041	9041	Nut, 4-40 Hex SS	69	4201	4201	Top Plate
20	647	647	Microswitch Kit (includes #17-19)	70	9039	9039	Cap Nut, 1/4-20 SS
21	4108	4108	Switch Plate	71	9528A	9528A	Elbow, 1/4" Comp. x 1/8" NPT Male
22	6005	6005	Gasket	72	9537B	9537B	Sleeve, 1/4"
23	400A-02	400A-02	U-Clamp Studded	73	9537A	9537A	Comp. Nut, 1/4"
24	9009	9009	Flat Washer, 1/4" SS	74	515	515	Inlet Tube
25	9061	9061	Nut, 10-24 Hex SS	75	6030	6030	B/T Insulation (Side)
26	7070	70100	Heating Element, 1500W	76	6031	6031	B/T Insulation (Bottom)
27	634	634V	Heating Element Kit (includes #22-26)	77	7215	7215	Terminal Buss
28	9530	9530	Comp. Nut Sleeve, 3/8 SS	78	7217	7217	Fuse, 1 Amp
29	9510	9510	Comp. Nut, 3/8 SS	79	7206	7206V	Heating Element Relay
30	9513A	9513A	Condensing Coil	80	7208	7208V	Control Relay
31	606	606	Coil Kit (includes #28-30)	81	7129	7129	5-Circuit Cap
32	9508	9508	Drain Valve	82	7246	7246	Cable Tie
33	87	87	Comp. Nut Sleeve	83	4727	4727V	Automatic Drain Valve Assy. (2000S)
34	84	84	Comp. Nut	84	9552	9552	Elbow, 1/2MPT x 1/2 FPT
35	518	518	Drain Extension Tube	85	4510	4510	Plug Outlet
36	611	611	Drain Ext. Tube Kit (includes #33-35)	86	95107	95107	Close Nipple (2000S)
37	7227	7227	Momentary Switch	87	9561	9561	Shut-Off Valve (2000S)
38	7228	7228	ON/OFF Switch	88	9562	9562	Elbow, 1/2 Comp. x 1/2MPT (2000S)
39	9550	9550	Comp. Nut, 1/4"	89	4700A-02	4700A-02	Base Studded
40	7231	70106	Solenoid	90	7232	7232	Power Switch, Red Lighted
41	9095	9095	Screw, 8-32 x 1/2 SS	91	508	508	Heat Tab
42	9043	9043	Nut, 8-32 Hex SS	92	4707A-02	4707A-02	Boiling Tank Studded
43	8070	8070	Nylon Spacer	93	9032	9032	Star Washer, 1/4"
44	635	635V	Solenoid Kit (includes #39-40)	94	6029	6029	Insulation, 3/4"Thick x 4" x 4"
45	9092	9092	Push Nut	95	4593	4593	Nygel Tubing, 4" Long
46	7010	7010	Fan Blade	96	9046	9046	Star Washer, #10 SS
47	7092	70103	Fan Motor				
48	653	653V	Fan Motor Kit (includes #45-47)				
49	9003	9003	Lock Nut, 8-32				



<u>Problem</u>	<u>Observations</u>	<u>Probable cause</u>	<u>Solution</u>
	Momentary water does not work.	No water supply to machine.	Check for: •Clogged Saddle Tapping Valve. •Clogged water line. •Clogged pre-filter or strainer.
		Bad or clogged solenoid.	Test/replace.
4) Purifier overflows. operating level (around 1/4 tank).	Boiling tank at normal clogged or improperly installed.	Charcoal post filter	Replace.
		Bad holding tank high level switch.	Test/replace.
		Bad control relay. (larger of 2)	Test/replace.
	Boiling tank is full to top of tank.	Bad boiling tank high level switch.	Test/replace.
		Solenoid stuck open. •2000 only	Clean or replace.
5) Boiling tank constantly overfills and then drains. (2000-S only) <i>Note: On model 2000 this would cause a problem covered in section 1.</i>	Tank fills too high and then drains.	Float not moving freely and not rising with water level.	Install bushing and 'O' ring kit or float repair kit.
		Float has a hole in it and sinks to bottom.	Use float repair kit.
		Float has too much buildup and sinks.	Clean tank.
		Solenoid stuck open.	Test/replace.
6) Drain valve drips. (2000 only)		Bad or missing bib.	Replace washer.
7) Purifier runs until hot, then shuts off	Purifier comes back on if you wiggle the reset.	Faulty reset.	Replace reset.
8) Boiling tank will not drain.	Model 2000.	Valve plugged with residue.	Open drain valve and blow compressed air into the extension tube.

**CAUTION: YOUR PURIFIER IS AN ELECTRICAL APPLIANCE, AND WE RECOMMEND IT BE SERVICED ONLY BY AN AUTHORIZED PURE WATER SERVICE CENTER.**