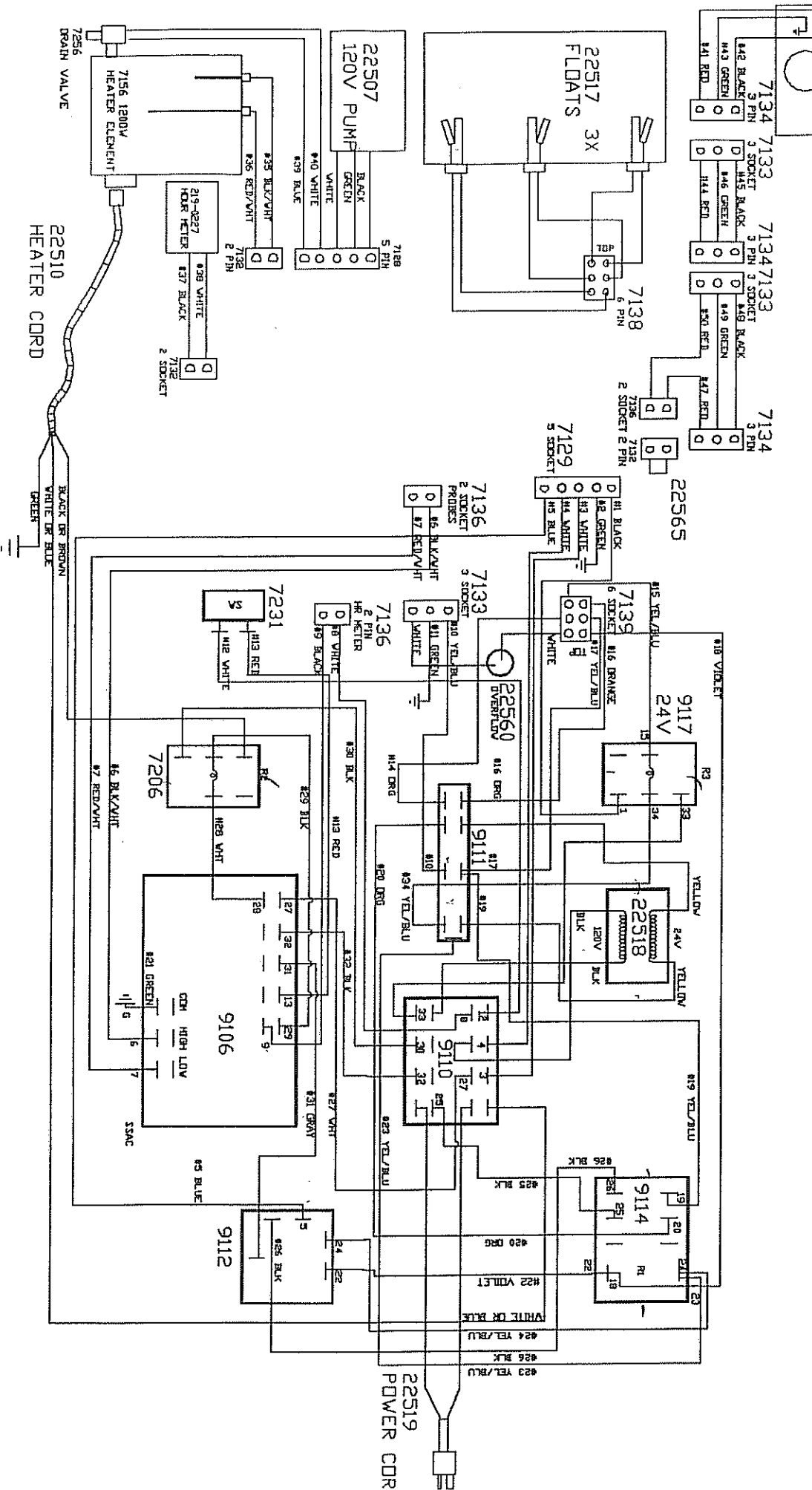


SCHEMATIC DIAGRAM INTEGRATE

ADD ON INTEGRATE 120 V 12/18/98
USE WIRING KIT 22515
VSOCH 086

CONTROLLED DISTRIBUTION
JAN 09 1999
APPROVED FOR PRODUCTION



USE WIRE KIT 23521 & 23522
WIRES 23601 TD 23655

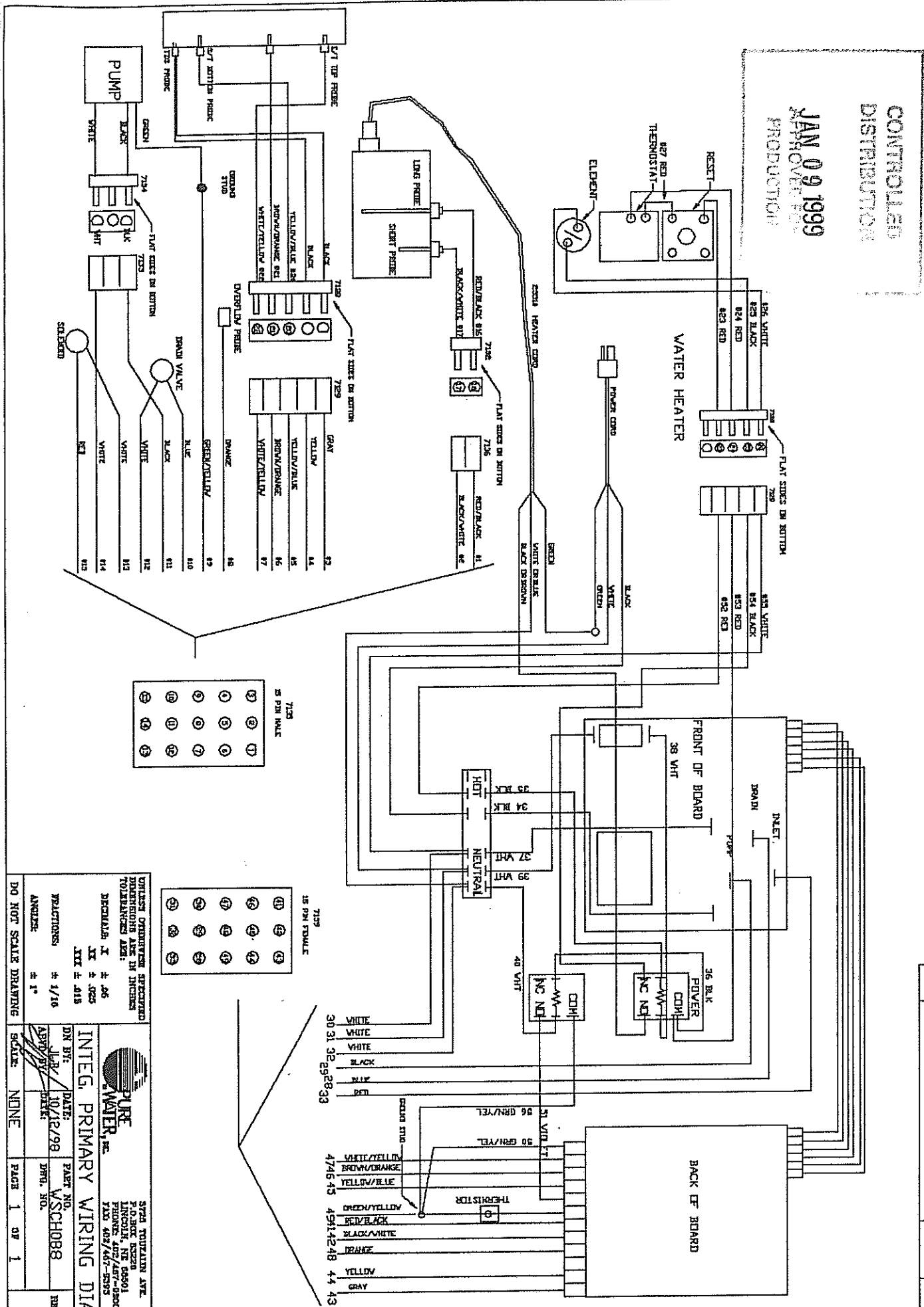
CONTROLLED
DISTRIBUTION

JAN 09 1999
MANUFACTURED FOR
PRODUCTION

PART NO./DWG. NO. W5SCH088

REVISIONS

REV	DESCRIPTION	DATE	BY



UNLESS OTHERWISE SPECIFIED
DIMENSIONS ARE IN INCHES
TOLERANCES ARE:

DECIMALS ± .06
FRACTIONS ± .015
RELATIONS ± 1/16
ANGLES ± 1°



INTEG. PRIMARY WIRING DIA

5724 TOWLEMAN AVE.
LINCOLN, NE 68501
PHONE: 402/487-8800
FAX: 402/487-5252

DN BY: JLB
DATE: 10/12/98
PART NO. W5SCH088
DWG. NO.
SCALE: NONE
PAGE 1 OF 1